

# Heritage Classic™



Model CX04S

## Handcrafted Natural Wood Garage Doors



NORTHWEST DOOR®

*A Tradition of Quality Since 1946*

Model C108A

# Crafted to meet your Design Criteria



**- Model E203S -**

The Heritage Classic is natural wood garage door. It looks like old fashioned swinging doors but actually opens upward as a sectional overhead garage door.



**- Model E308A -**

The Heritage Classic can be crafted with either squared windows or arched window designs. All windows are true-divided and glazed with standard 1/8" clear annealed glass. There are a multitude of glazing options to choose from, including etched, obscure, tinted and insulated glass.



**- Model C008S -**



**- Model EA08S -**

Squared Window Design



**- Model CV08A -**

2 Arches, Standard 15'-0" Radius

The Heritage Classic is available in both single car and double car designs. Arched windows are available in two standard arch dimensions, a 15'-0" and a 58'-0" radius. Custom arches can also be made to match the existing door opening from either a buyer's specified dimensions or a template.



**- Model C001A -**

1 Arch, Standard 58'-0" Radius



**- Model EZ08C -**

The Heritage Classic is a complete operating system which includes your choice of standard lift or 7" low headroom clearance hardware. All doors are equipped with double end hinges, frequently spaced center hinges, horizontal steel trusses, and heavy duty commercial grade angle mounted horizontal and vertical track.

- *Quality*
- *Selection*
- *Value*

# Almost Endless Design Options

Choose from a variety of standard designs or create your own design. Our standard overlay material is Clear Western Red Cedar. Many other select woods are also available.



**- Custom Design, designed by buyer -**

Tight Knot Cedar T&G with optional decorative clavos pins.



**- Model CDH0S -**

This CDH0S has Clear Western Red Cedar with optional decorative hinges and handles. You may add decorative hardware to your door to enhance the simulation of swing doors, see the complete selection at [www.nwdusa.com](http://www.nwdusa.com).



**- Model CX06S -**

These door openings have clipped upper corners that were provided by the builder.



**- Model EX08S -**

This Model EX08S door has a squared window design, the door opening has a custom arched facade provided by the builder.



**- Model CDH0S -**

This Model CDH0S has no windows, it can be used on most arched door openings as well as squared openings.



**- Model E206S -**



**- Model C008C -**

These Model C008C garage doors have a custom arched window design to match the arch of the door openings, the T&G Western Red Cedar is applied to the door face in a Herringbone pattern.

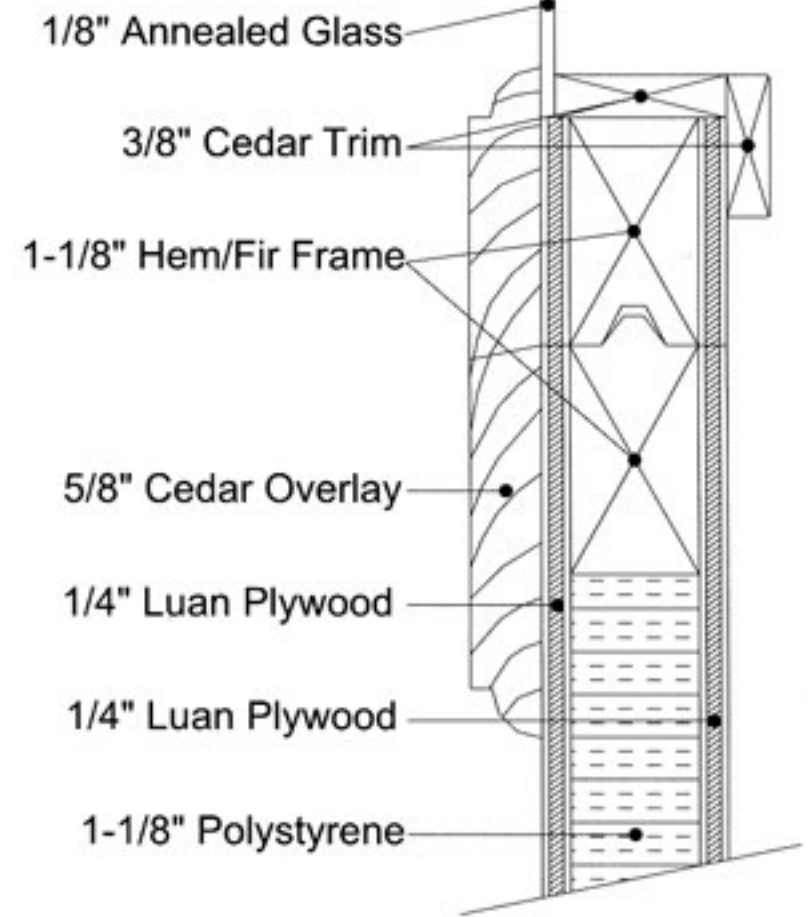
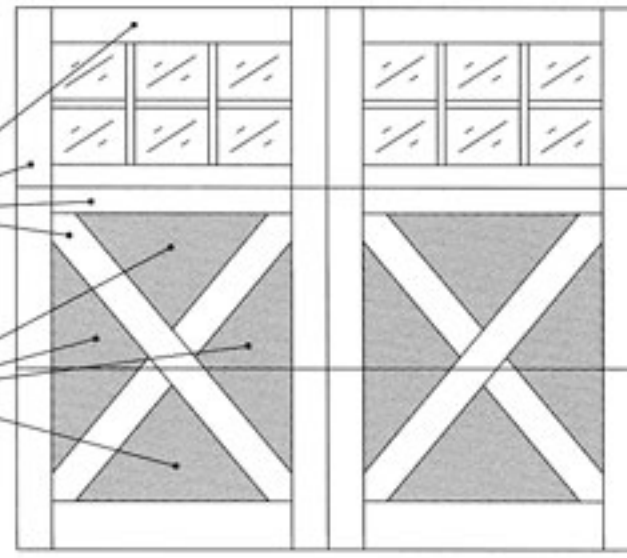
*A Tradition of Quality, Since 1946*

# Heritage Classic

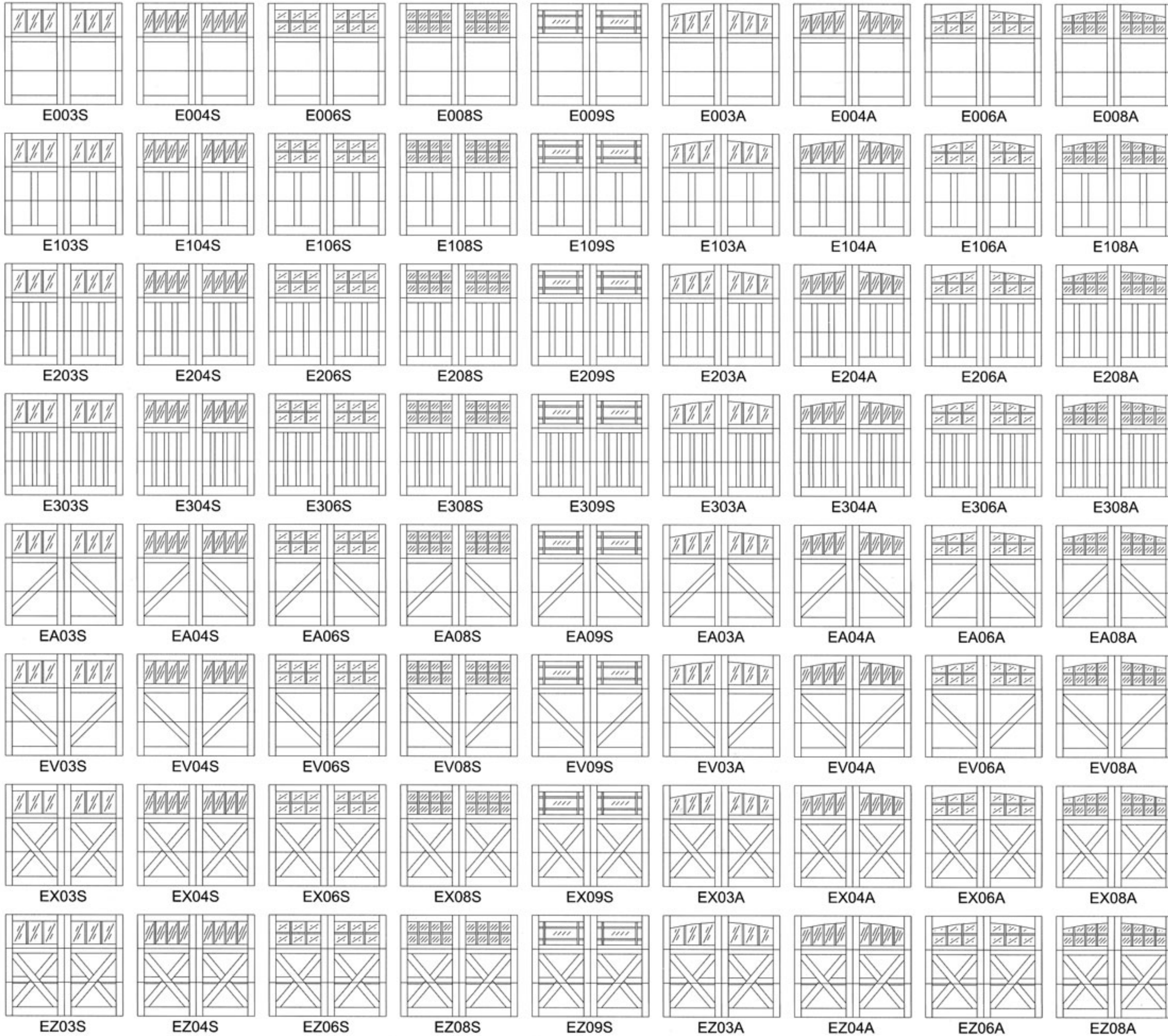
# "E" Series

5/8" Clear Western Red Cedar Overlay

1/4" Luan Plywood Face



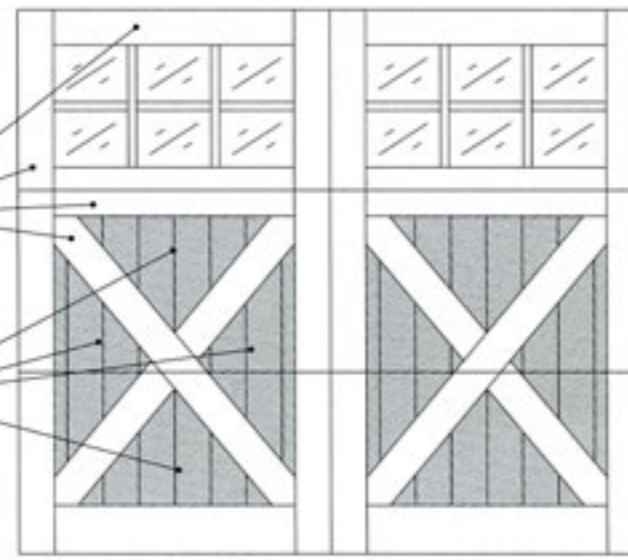
Choose from a large selection of our basic "E" Series Designs. It has a Clear Western Red Cedar Design Overlay and a Luan Plywood Face. It is constructed with a 7/16" Radius Profile on the inner edge of the Overlay Profile. Other face materials are available on the "C", "M" Series Doors.



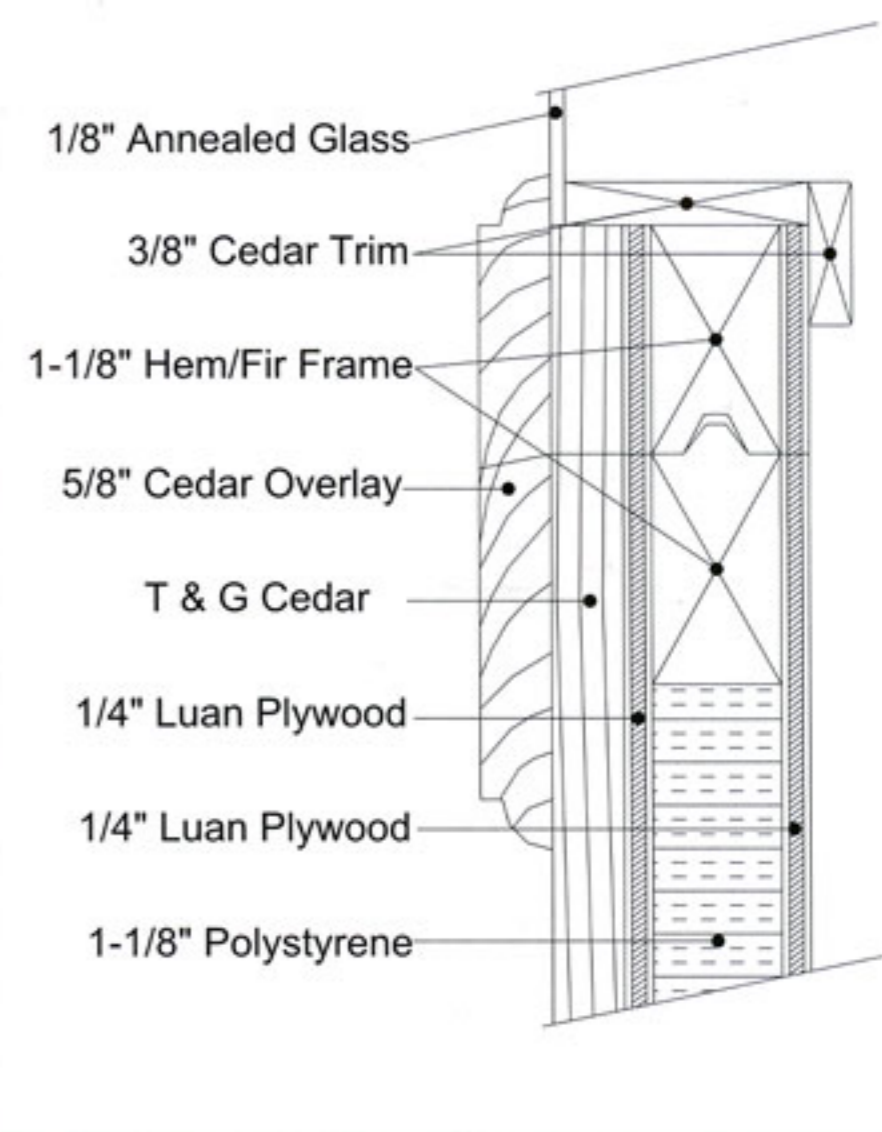
# Heritage Classic "C" Series

5/8" Clear Western Red Cedar Overlay

"C" Series offers all the basic designs as the "E" Series with 1x4 or 1x6 Tongue & Groove Clear Western Red Cedar face applied over the exterior layer of Luan Plywood.

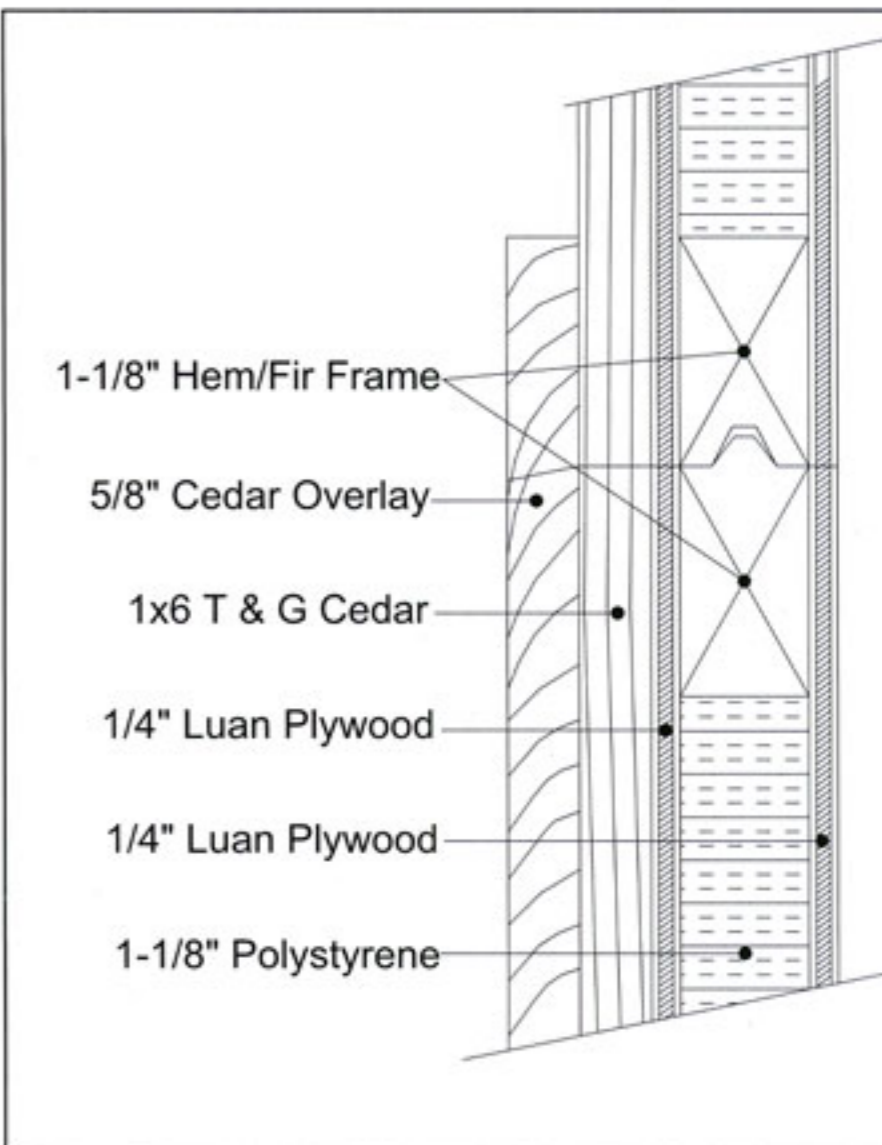
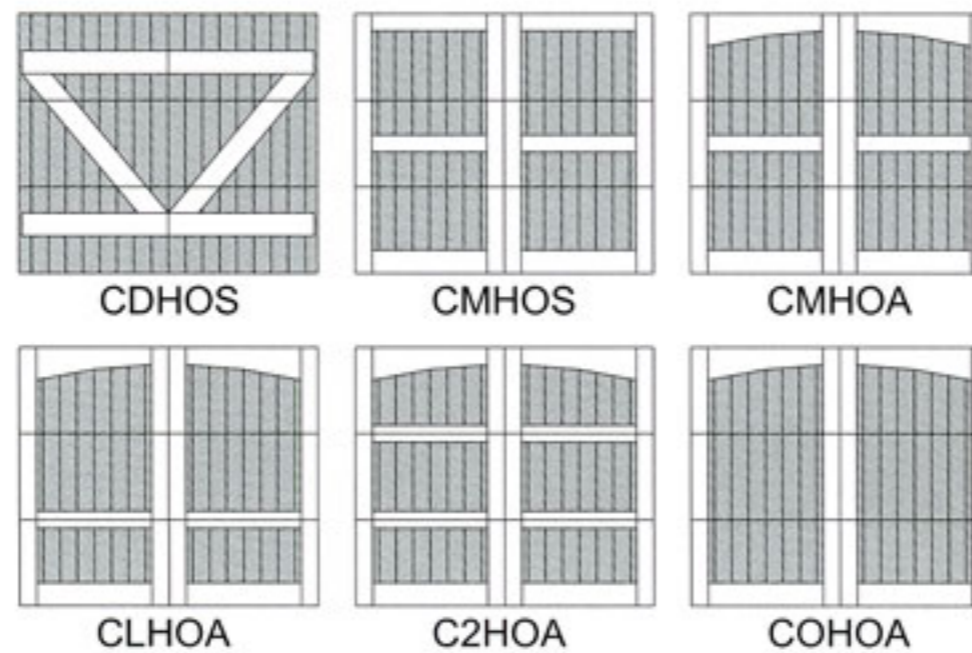


The "M" Series is a great alternate to the "C" Series when choosing to paint your door. It is constructed using a 3/8" MDO Fir Plywood face with V-Grooves cut to simulate 4" or 6" Tongue & Groove material.

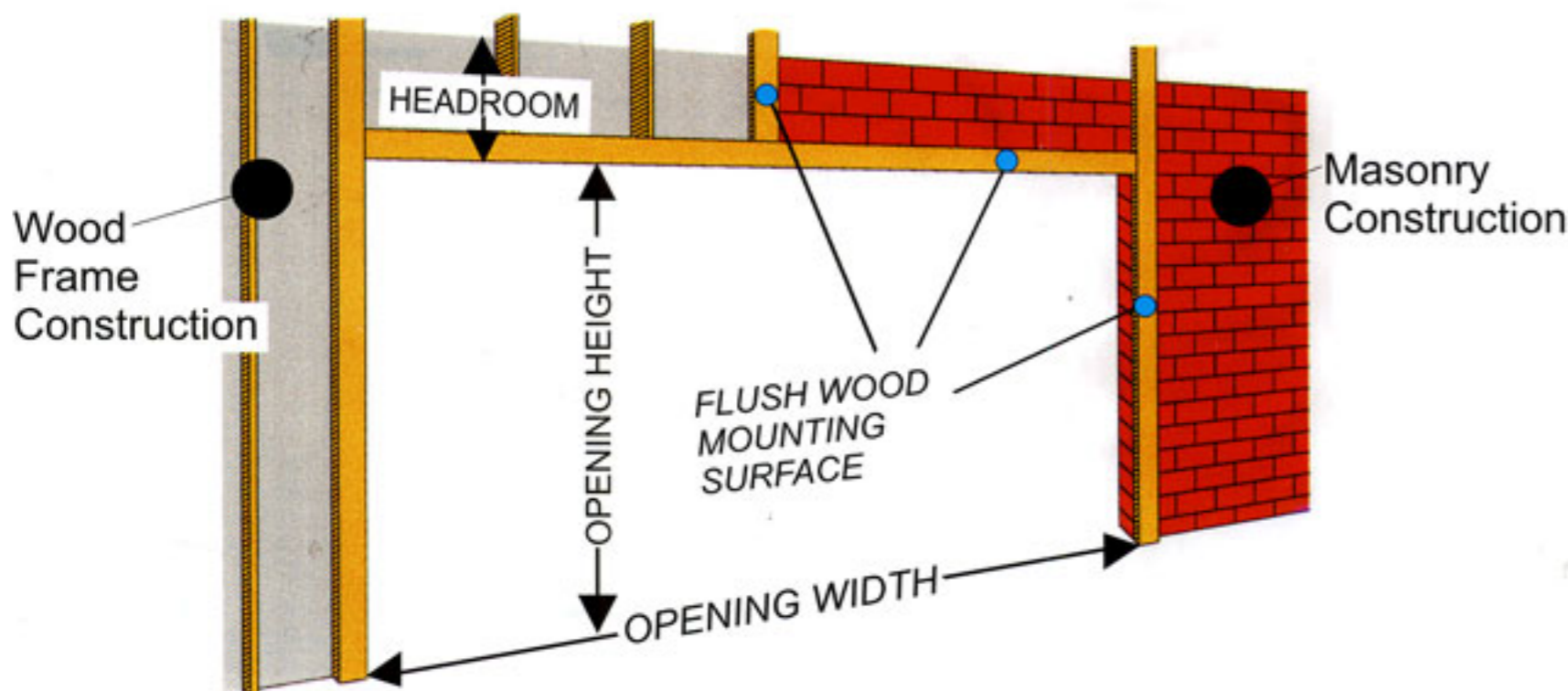


# Heritage Classic "H" Series

The "H" Series appearance emphasizes the "Barn Style" look with no windows. The overlay has a Butt-Joint on all edges. These doors are available with the same design material options as the "E", "C", & "M" Series.



## Operating Clearances and Framing Requirements



Framing of the door opening on the interior of the garage should be prepared with a flush mounting surface for the garage door hardware. This area must remain clear with no obstructions. The flush wood mounting surface is constructed using 2x4 or 2x6 framing material.

### Manual Operation

#### Standard Lift

Head Room: 16 inches  
Side Room: 4 inches  
Depth Into Garage: Door height plus 18 inches

#### Low Head Room Rear Mt

Head Room: 7 inches  
Side Room: 6 inches  
Depth Into Garage: Door height plus 24 inches

### Electric Operation

**(LiftMaster Model 3595 or 3585)**

Headroom: Additional 2 inches  
Depth Into Garage: Door height plus 39 inches

# Handcrafted Natural Wood Garage Doors

## Standard Millwork Specifications: *Heritage Classic*

Frame: Nominal 1-1/8" Finger-Joint Kiln dried HEM/FIR, Double End Stiles are standard on all doors..

Interior Skin: Nominal 1/4" exterior glued Luan Plywood pressure bonded to frame with waterproof contact adhesive.

Exterior Skin:

("E", "C" & "H" Series) Nominal 1/4" exterior glued Luan plywood pressure bonded to frame with water proof contact adhesive.  
("M" Series) Nominal 3/8" MDO Fir plywood with V-grooves, pressure bonded to frame with waterproof contact adhesive.  
*1/4" Rough Sawn Fir plywood is an available option.*

Exterior Face:

("E" & "M" Series) Exterior Skin.  
("C" & "H" Series) 1x6 Tongue and Groove Clear Western Red Cedar.  
*1x6 Vertical Grain Fir, Redwood, Alder, African Mahogany or other select woods suitable for exterior use are available options.*

Overlay:

("E", "M" & "C" Series) Nominal 5/8" Clear Western Red Cedar with 7/16" profile bead where edges are exposed.  
("H" Series) Nominal 5/8" Clear Western Red Cedar with Butt-Joint where edges are exposed.  
All overlays are back cut to prevent twisting and warping, then bonded to Exterior Face with exterior adhesive and Stainless Steel pin nails. All adjoining overlay members are bonded to each other with exterior adhesive.  
*Vertical Grain Fir, Redwood, Alder, African Mahogany or other select woods suitable for exterior use are available options.*

Core: Nominal 1-1/8" EPS, Polystyrene insulation.

Windows: True divided, stopped and sealed in position, 1/8" clear annealed glass (DSB) is standard.  
*Many other types of glass, including insulated units are available to meet your specifications.*

Arched Top: Single car widths, 15'-0" radius standard; Double car widths 58'-0" radius or 2 @ 15'-0" radius standard, or custom radius (*specify or provide template*).

Section Heights: Maximum recommended height, 28" for ease of operation.  
To 7'0" in height, 3 sections, over 7'0" to 9'4", 4 sections, over 9'4" to 11'8", 5 sections, over 11'8" to 14'0", 6 sections.

## Hardware Specifications: *Heritage Classic*

Track: 2" Industrial Grade, angle mounted vertical track and full length angle on horizontal track.  
15" radius standard lift or 6" low clearance track is standard. 3" Industrial Grade track supplied when required by weight.  
*3" track, high lift, vertical lift and follow roof line pitch track are available options.*

Hinges: 14 gauge Industrial Grade galvanized center and double end hinges and 14 gauge narrow profile center intermediate hinges.  
*(distance between hinges not to exceed 27" center to center)*

Rollers: 2" Industrial Grade, long stem steel, 10-ball bearing type with Nylon outer races.

Struts: All doors to 15'0" wide, one 2-1/4" galvanized horizontal strut per section minimum, doors exceeding 15'0" in width, one 3" galvanized strut per section minimum.

Counter Balance: 10,000 cycle torsion springs, galvanized aircraft cable, cast aluminum cable drums and 1" diameter tube/shaft.  
*Extended life high cycle torsion springs are an available option.*

Fasteners: The center hinges and outermost row of end hinges are attached to the door with hex head bolts and concealed high strength fasteners that are embedded in the door frame. Zinc plated fasteners, bolt and nuts are standard for all fastening applications.

Operation: Manual push up is standard, lock assembly not supplied. *Electric operation recommended for best possible operation.*

**NOTE:** Wood garage doors must be finished prior to installation and protected from moisture at all times until the finish has been applied to the door. Seal and protect all sides, edges and surfaces.

CHAMBERLAIN

**LiftMaster**  
PROFESSIONAL

**For ease of operation we recommend LiftMaster Professional Line Garage Door openers for all Northwest Door products.**

Northwest Door, Inc. - PO Box 44605 - Tacoma, WA 98448  
www.nwdusa.com



Your Northwest Door Dealer: